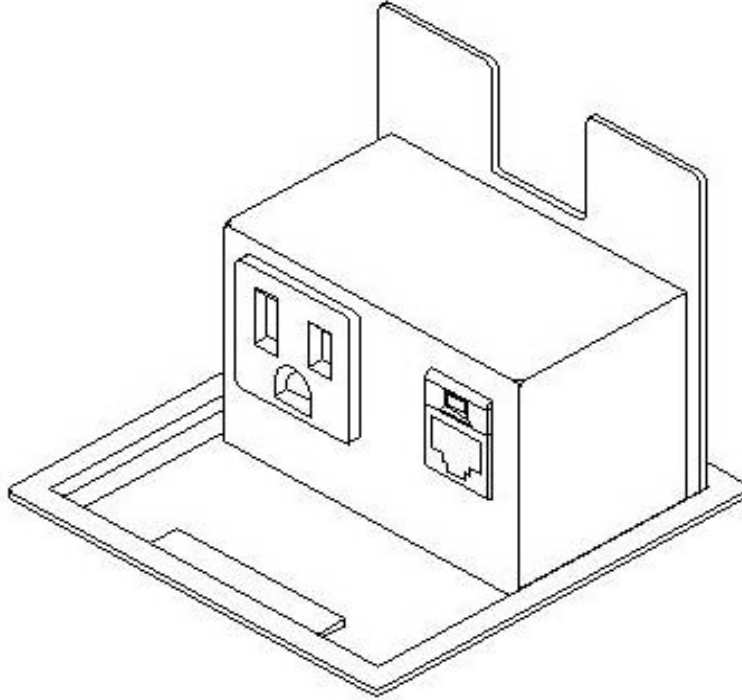
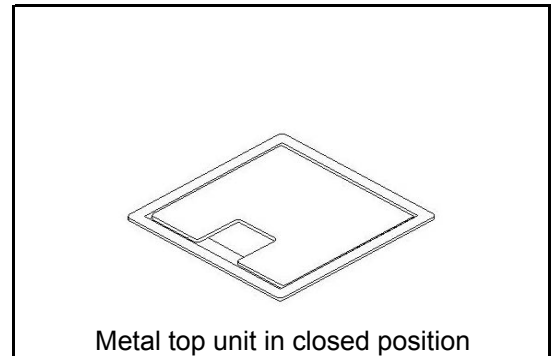


Option #160

Transact Jr.



Flip top unit has an overall size of 3.7"L x 3.7"W x 2.63" H when in open position. Available in a corded unit only. Unit is UL Listed. A 144" power cord and patch cable and one power receptacle is standard with this unit. Black metal unit is standard. Also available in a brushed stainless steel finish.



Unit is available in below configurations.
Please order by full option number.

Option #	Finish	Cord Type	Data	Voice	Video	Mini Stereo
160-A	Black	144" w/ Plug	1	0	N/A	N/A
160-B	Black	144" w/ Plug	0	1	N/A	N/A

See current pricelist for all applicable upcharges.

Arnold Furniture Mfrs., Inc.

400 Coit Street, Irvington, NJ 07111 Phone (973)-399-0505 Fax (973)-399-7638
<http://www.arnoldfurniture.com>

Please visit our website for color photos of this and other power/data units.