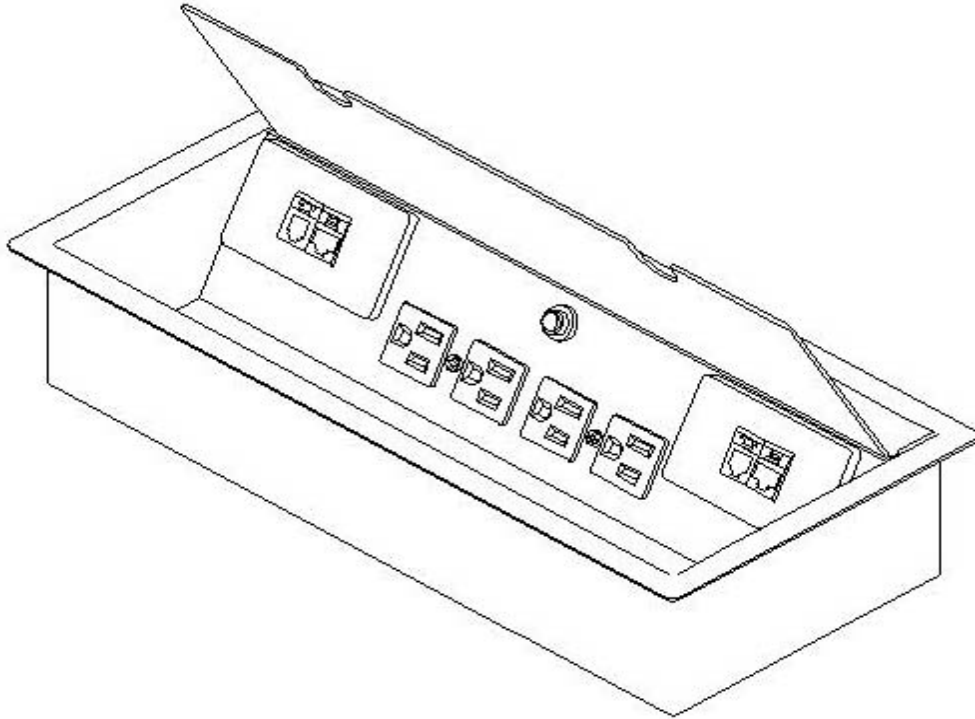
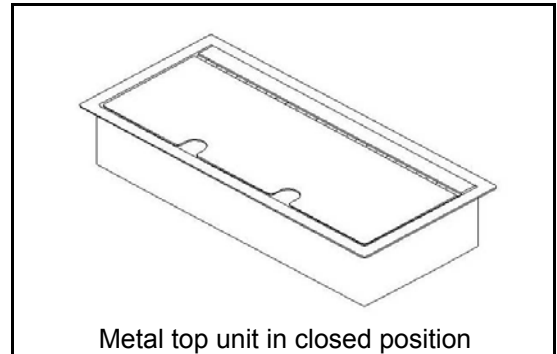


Option #158

Interface I Power/Data/Voice Unit



Tabletop unit has an overall size of 14.27"L x 6.68"W x 2.85" D. Available as a corded or hardwire ready unit. Corded units are UL Listed and CSA certified. Hardwired units are CSA certified. Standard items include four power receptacles and a 144" power cord. Black textured metal unit is standard. Also available with brushed stainless steel finish or with a wood door.



Unit is available in below configurations.
Please order by full option number.

<u>Option #</u>	<u>Finish</u>	<u>Lid Type</u>	<u>Cord Type</u>	<u>Data</u>	<u>Voice</u>	<u>Video</u>	<u>Mini Stereo</u>
158-A	Black	Metal	144" w/ Plug	2	2	0	0
158-B	Black	Metal	144" w/ Plug	2	2	2	0
158-C	Black	Metal	144" w/ Plug	3	1	1	1
158-D	Black	Metal	144" w/ Plug	4	0	1	1
158-E	Black	Metal	144" w/ Plug	5	1	0	0
158-F	Black	Metal	144" w/ Plug	6	0	0	0

See current pricelist for all applicable upcharges.

Arnold Furniture Mfrs., Inc.

400 Coit Street, Irvington, NJ 07111 Phone (973)-399-0505 Fax (973)-399-7638

<http://www.arnoldfurniture.com>

Please visit our website for color photos of this and other power/data units.