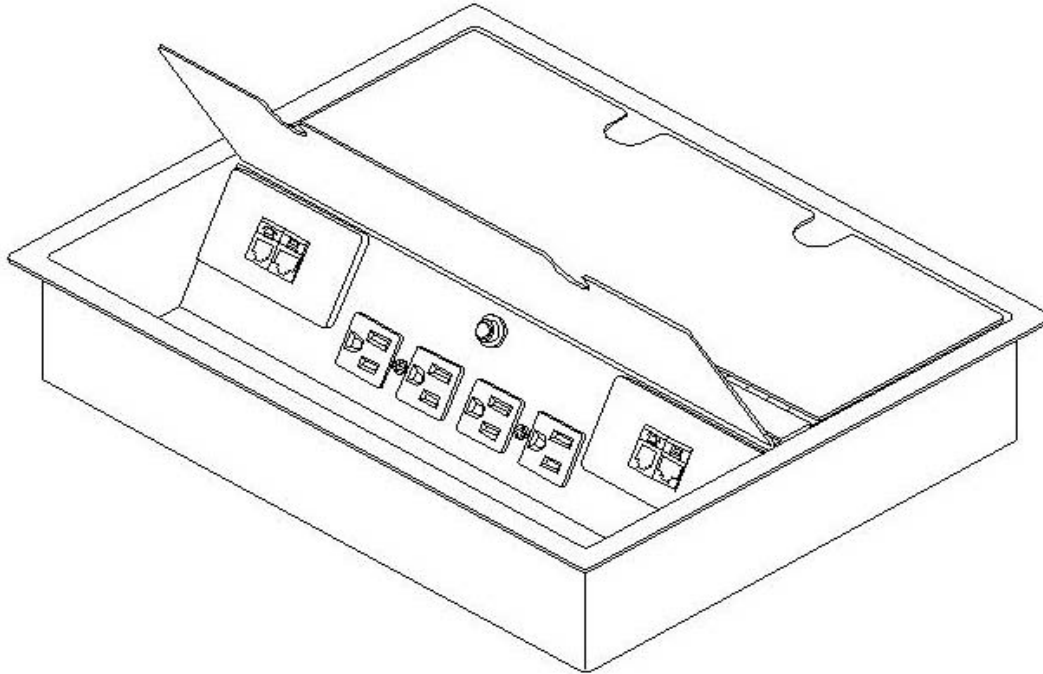
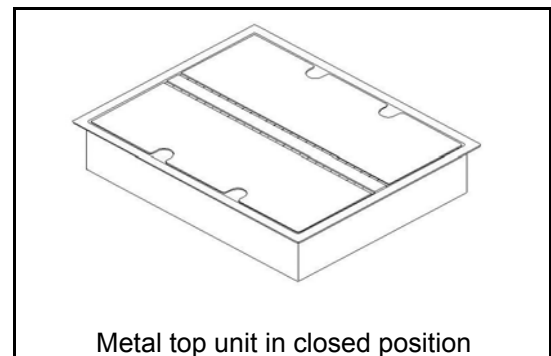


Option #156

Interface II Power/Data/Voice Unit



Tabletop unit has an overall size of 14.27"L x 11.46"W x 2.85" D. Available as a corded or hardwire ready unit. Corded units are UL Listed and CSA certified. Hardwired units are CSA certified. Standard items include eight power receptacles and a 144" power cord. Black textured metal unit is standard. Also available with brushed stainless steel finish or with wood doors.



Unit is available in below configurations.
Please order by full option number.

Option #	Finish	Lid Type	Cord Type	Data	Voice	Video	Mini Stereo
156-A	Black	Metal	144" w/ Plug	4	4	0	0
156-B	Black	Metal	144" w/ Plug	4	4	4	0
156-C	Black	Metal	144" w/ Plug	6	2	2	2
156-D	Black	Metal	144" w/ Plug	4	0	4	4
156-E	Black	Metal	144" w/ Plug	11	1	0	0
156-F	Black	Metal	144" w/ Plug	12	0	0	0

See current pricelist for all applicable upcharges.

Arnold Furniture Mfrs., Inc.

400 Coit Street, Irvington, NJ 07111 Phone (973)-399-0505 Fax (973)-399-7638
<http://www.arnoldfurniture.com>

Please visit our website for color photos of this and other power/data units.