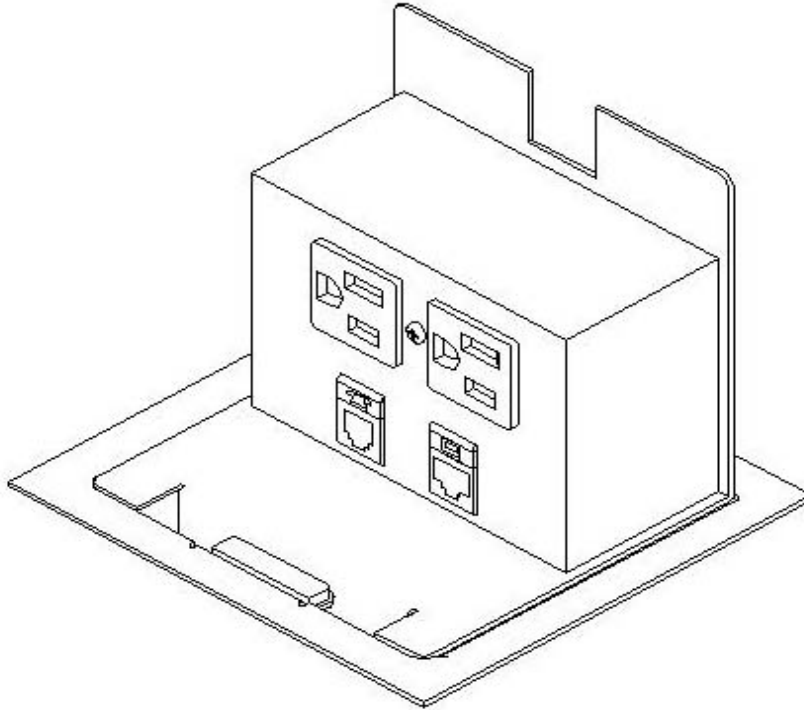


Option #150

Transact



Flip top unit has an overall size of 5"L x 4.66"W x 3.64"H when in open position. Available in a corded unit only. Unit is UL Listed. A 144" power cord and two power receptacles are standard with this unit. Black metal unit is standard. Also available in a brushed stainless steel, polished stainless steel, brushed brass, and polished brass finish. Unit is similar to the option #151 Interact Jr.

Unit is available in below configurations. Please order by full option number.

<u>Option #</u>	<u>Finish</u>	<u>Cord Type</u>	<u>Data</u>	<u>Voice</u>	<u>Video</u>	<u>Mini Stereo</u>
150-A	Black	144" w/ Plug	1	1	N/A	N/A
150-B	Black	144" w/ Plug	2	0	N/A	N/A
150-C	Black	144" w/ Plug	0	2	N/A	N/A

See current pricelist for all applicable upcharges.

Arnold Furniture Mfrs., Inc.

400 Coit Street, Irvington, NJ 07111 Phone (973)-399-0505 Fax (973)-399-7638
<http://www.arnoldfurniture.com>

Please visit our website for color photos of this and other power/data units.